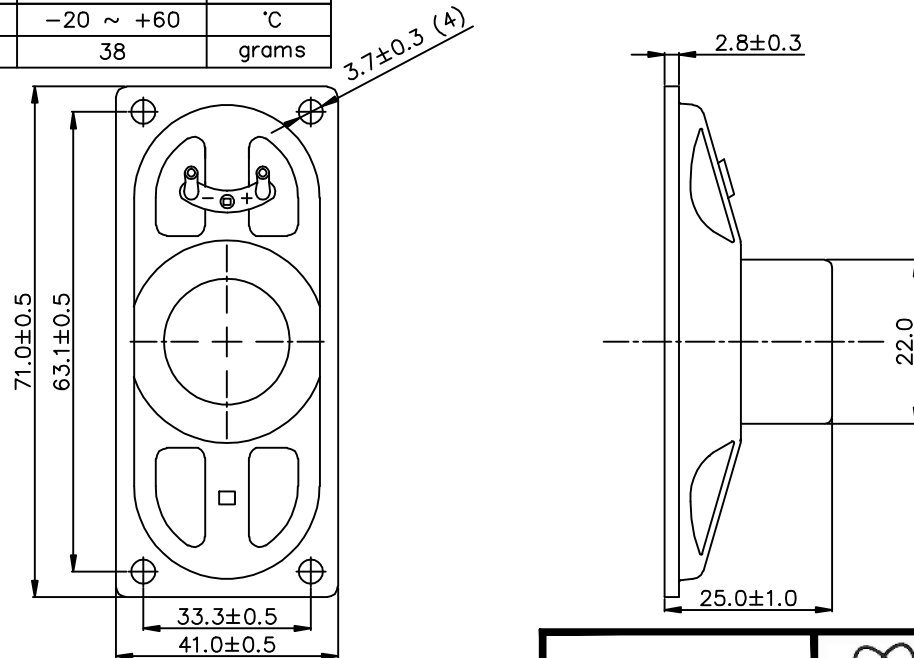


THIS DOCUMENT CONTAINS DATA PROPRIETARY TO PROJECTS UNLIMITED, INC. ANY USE OR REPRODUCTION, IN ANY FORM, WITHOUT PRIOR WRITTEN PERMISSION OF PROJECTS UNLIMITED, INC. IS PROHIBITED.  
 ©2003, Projects Unlimited Inc.

SPECIFICATIONS

PARAMETERS	VALUES	UNITS
RATED INPUT POWER	3	W
MAX INPUT POWER	5	W
IMPEDANCE	4±15%	OHM
OUTPUT SPL @ 0.1W/0.5M (AT 0.8, 1.0, 1.2, 1.5 kHz)	86±3	dB
DISTORTION	5%	-
RESONANT FREQUENCY	250±70	Hz
FREQUENCY RANGE	100 ~ 20,000	Hz
HOUSING MATERIAL	METAL	-
CONE MATERIAL	TREATED PAPER	-
MAGNET MATERIAL	ALNICO	-
OPERATING TEMPERATURE	-20 ~ +60	°C
WEIGHT	38	grams


REVISIONS			
LTR	DESCRIPTION	DATE	APPROVED
-	RELEASED FROM ENGINEERING	9/25/06	



NOTES:

1. ALL DIMENSIONS ARE IN MILLIMETERS.
2. SPECIFICATION SUBJECT TO CHANGE OR WITHDRAWAL WITHOUT NOTICE.
3. THIS PART IS RoHS 2002/95/EC COMPLIANT.
4. CONE HAS BEEN TREATED FOR WATER RESISTANCE.

FILE NAME  
AS07104PO-WR-R.DWG

UNLESS OTHERWISE SPECIFIED: DIMENSIONS ARE IN MILLIMETERS, TOLERANCES ARE ±0.5 AND ANGLES ARE ±3°.		 A Division of Projects Unlimited		6300 Sand Lake Road Dayton, Ohio 45414	
APPROVALS		DATE		<b>SPEAKER</b> DRAWING NO. <b>AS07104PO-WR-R</b>	
DRAWN <i>J.D.</i>		9/06			
CHECKED <i>B.R.</i>		9/06			
APPROVED <i>R.W.</i>		9/06		SIZE A	SCALE: N.T.S.
				SHEET 1 OF 1	